



Product overview



GC-DXC1 20A Electric Vehicle Plastic HVIL Connector

Features:

- ✓ High voltage interlock
- ✓ Secondary separation: Segment unlocking (delayed separation);
- ✓ CPA TPA: Both the connector and the terminal have a secondary locking structure;
- ✓ The rated voltage of the product is increased to 1000V, and the withstand voltage is 4000V AC;
- ✓ The product is resistant to neutral salt spray for 504 hours (GB 2423.17);

Application: Electrical connection between new energy vehicle all-in-one controllers, motor controllers, PDU, PTC and other on-board equipment

The main technical parameters:

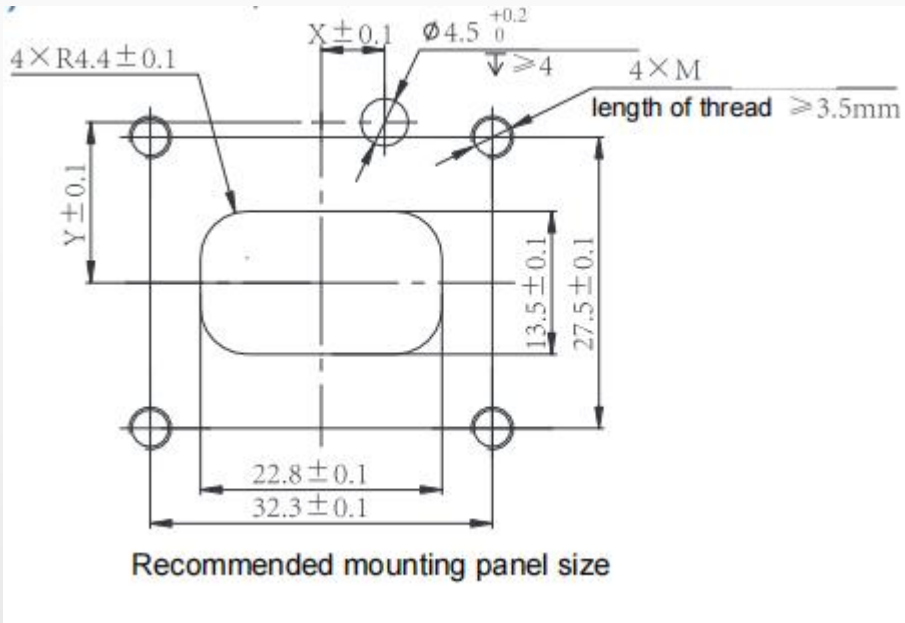
- Number of cores: 2 core, 3 core
- Adaptive wire cross section: 0.75mm², 2.5mm², 4mm², 6mm² (plug & socket)
- Rated voltage: 1000V
- Withstanding voltage: 4000V
- Current carrying capacity: 9A (0.75mm²), 20A (2.5mm²), 30A (4mm²), 40A (6mm²)
- Temperature rating: -40°C~140°C
- Insulated resistance: 5000 MΩ
- Protection level: IP68, IP6K9K
- Mechanical life: 100 times
- Salt spray class: 504H
- Butt connection mode: Crimp



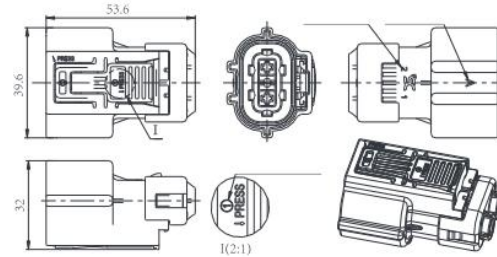
MODEL NUMBER DESIGNATION

Series name	DXC1 Series Connector	DXC1	-	2T	P	H	-	2.5	C	W	U	A	-01
Model	DXC1												
Separator	-												
Connector Type	2-core Plug (2 core, 3-core, T-plug, Z-socket)												
With shield or not	Default-None; P-Shield												
With interlock or not	Default-None; H-With interlock												
Separator	-												
Adaptable Cable	2.5/4/6mm ²												
Plug cable type	Default-Single core wire; C-Cabled												
Cores number of housing	Default-straight type; W-Bending type												
Socket type	Default-Plug/square socket; U-Fly head socket												
Key positions	A/B/C/D/E												
Remodel code	Default, -1, -2												

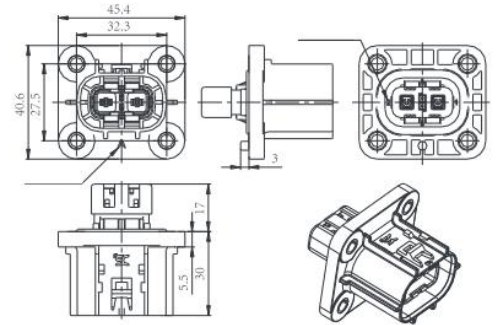
➔ MOUNTING PANEL SIZE



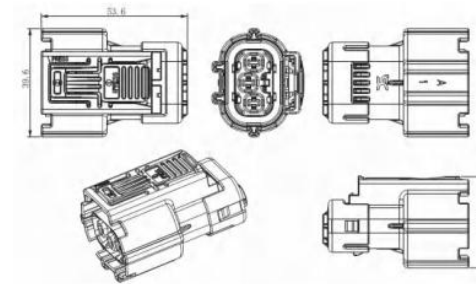
The overall dimensions take 2-core 2.5mm² shielded plug DXC1-2TPH-2.5A and 2-core 2.5mm² shielded socket DXC1-2ZPH-2.5A as examples, the overall dimensions of the 2-core 2.5mm²/0.75mm² unshielded plug and socket are the same as those of shielded ones. The overall dimensions of the same specification connectors with different key positions are also the same. Unspecified dimensional tolerance: ± 0.5 .



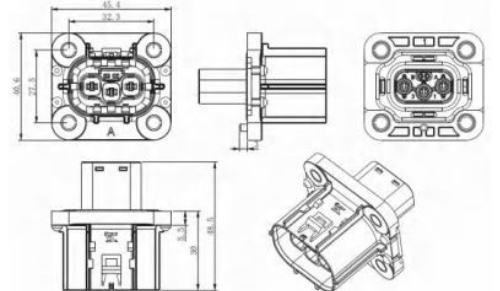
DXC1-2TPH-2.5A Dimensions



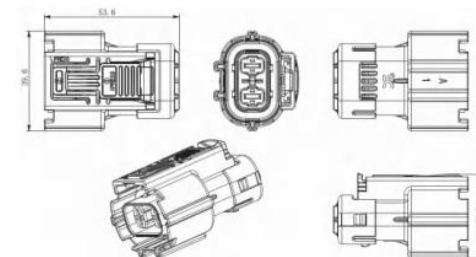
DXC1-2ZPH-2.5A Dimensions



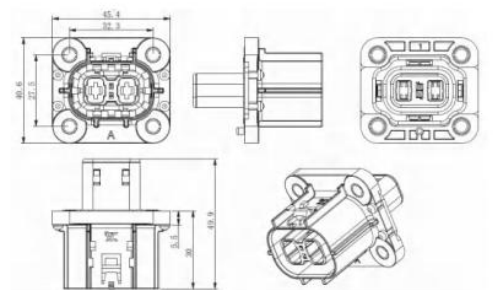
DXC1-3TPH-2.5A Dimensions



DXC1-3ZPH-2.5A Dimensions



DXC1-2TPH-4A (SH1-2TPH-6A) Dimensions



DXC1-2ZPH-4A (SH1-2ZPH-6A) Dimensions